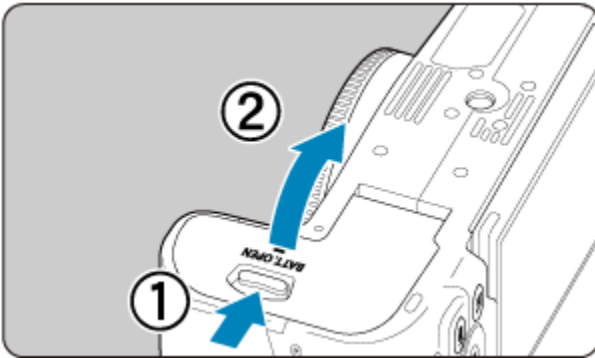


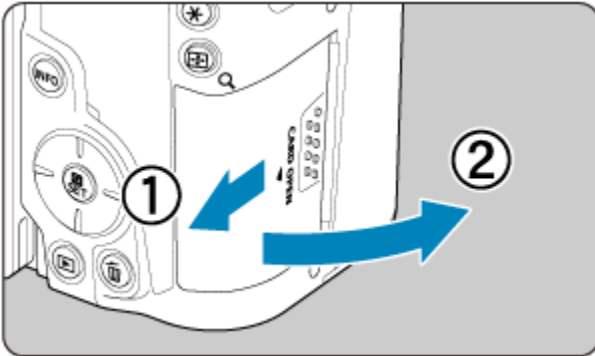
# EOS R7: Quick Start Guide

1. Insert the battery.



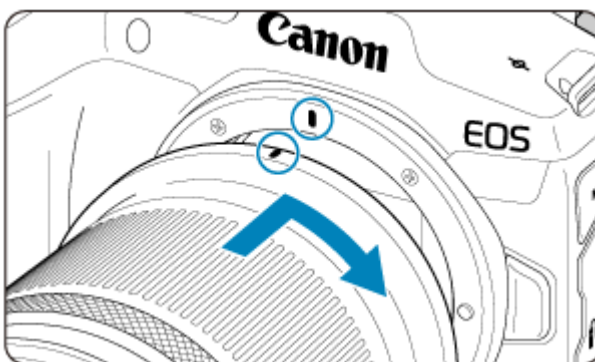
- Upon purchase, charge the battery to start using.

2. Insert the card.



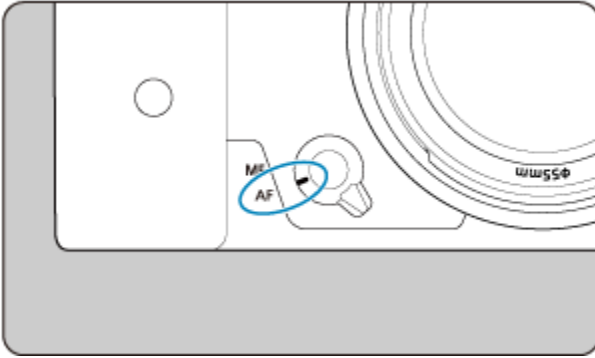
- You can insert two cards.

3. Attach the lens.

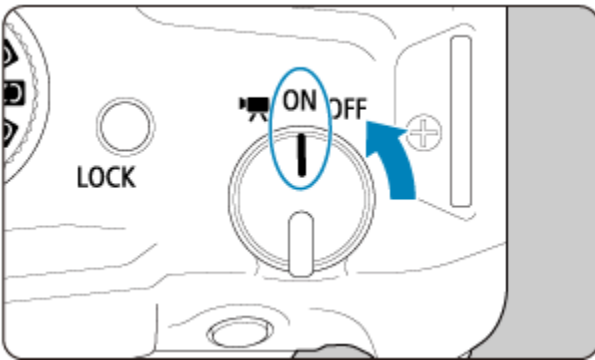


- Align the red mount index on the lens with the red mount index on the camera to attach the lens.

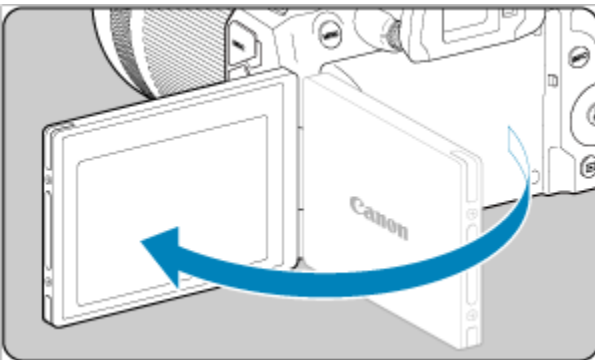
4. Set the focus mode to **AF**.



5. Set the power switch to **ON**.



6. Flip out the screen.



- When the date/time/zone setting screen is displayed.

7. Set the Mode dial to **A+**.



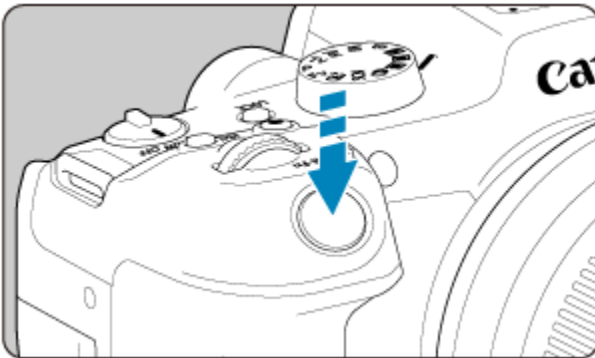
- All the necessary camera settings is set automatically.

8. Focus on the subject.



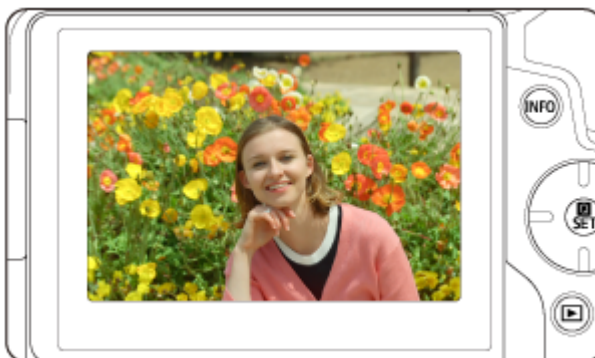
- A tracking frame [ ] for AF appears over any face detected.
- Press the shutter button halfway, and the camera will focus on the subject.


9. Take the picture.



- Press the shutter button completely to take the picture.

10. Review the picture.



- The image just captured will be displayed for approx. 2 sec. on the screen.
- To display the image again, press the  button.